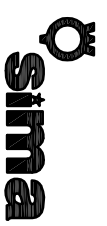
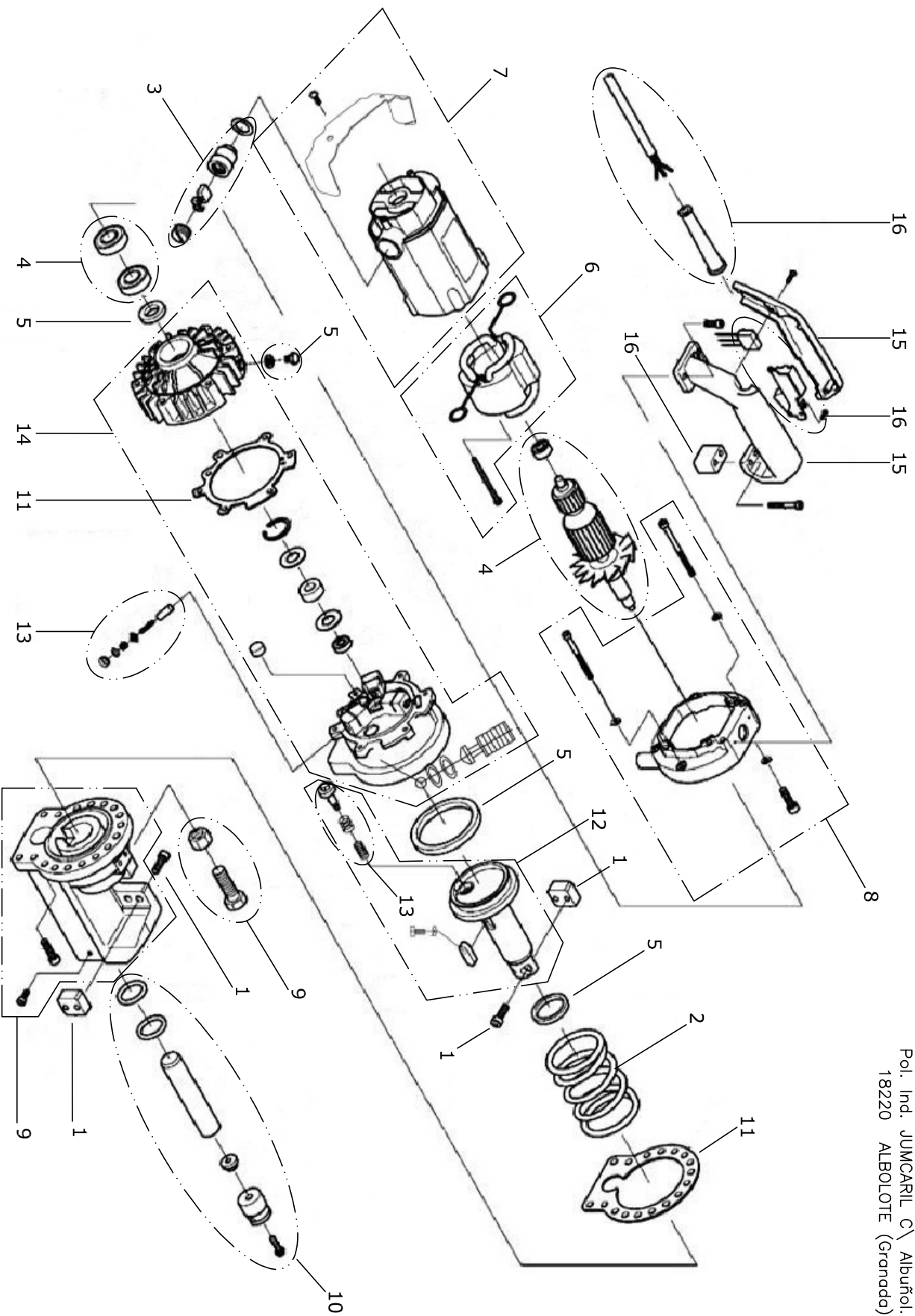


CX-25  
CX-20



SOCIEDAD INDUSTRIAL DE MAQUINARIA ANDALUZA  
Pol. Ind. JUMCARIL C\ Albuñol, Parc. 250  
18220 ALBOLOTE (Granada) ESPAÑA

Product description:		CX-25 1,4 KW M 110V 60HZ P2 S
Product ID Code:		8171
POSITION # (item)	Material # (Product ID)	Description (Name)
1	R-3000401	CUTTER BLOCK + BOLT SET CX-25
2	R-3000416	CX-25 RETENTION SPRING
3	R-3000403	CX-25 HOLDER + BRUSH
4	R-3000417	ROTOR CX-25 110 v
5	R-3000405	CX-25 RUBBER SEAL KIT
6	R-3000418	STATOR CX25 110v
7	R-3000406	CX-25 HOUSING ENGINE
8	R-3000407	CX-25 TOP HOUSING ENGINE
9	R-3000408	CX-25 JAW
10	R-3000409	CX-25 FLOAT SET
11	R-3000410	CX-25 GASKET SET
12	R-3000411	CX-25 PISTON
13	R-3000412	CX-25 RETENTION VALVE SET
14	R-3000413	CX-25 CRANKCASE
15	R-3000414	CX-25 HANDGRIP
16	R-3000415	CX-25 ELECTRICAL WIRING