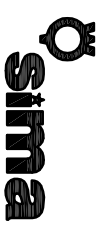
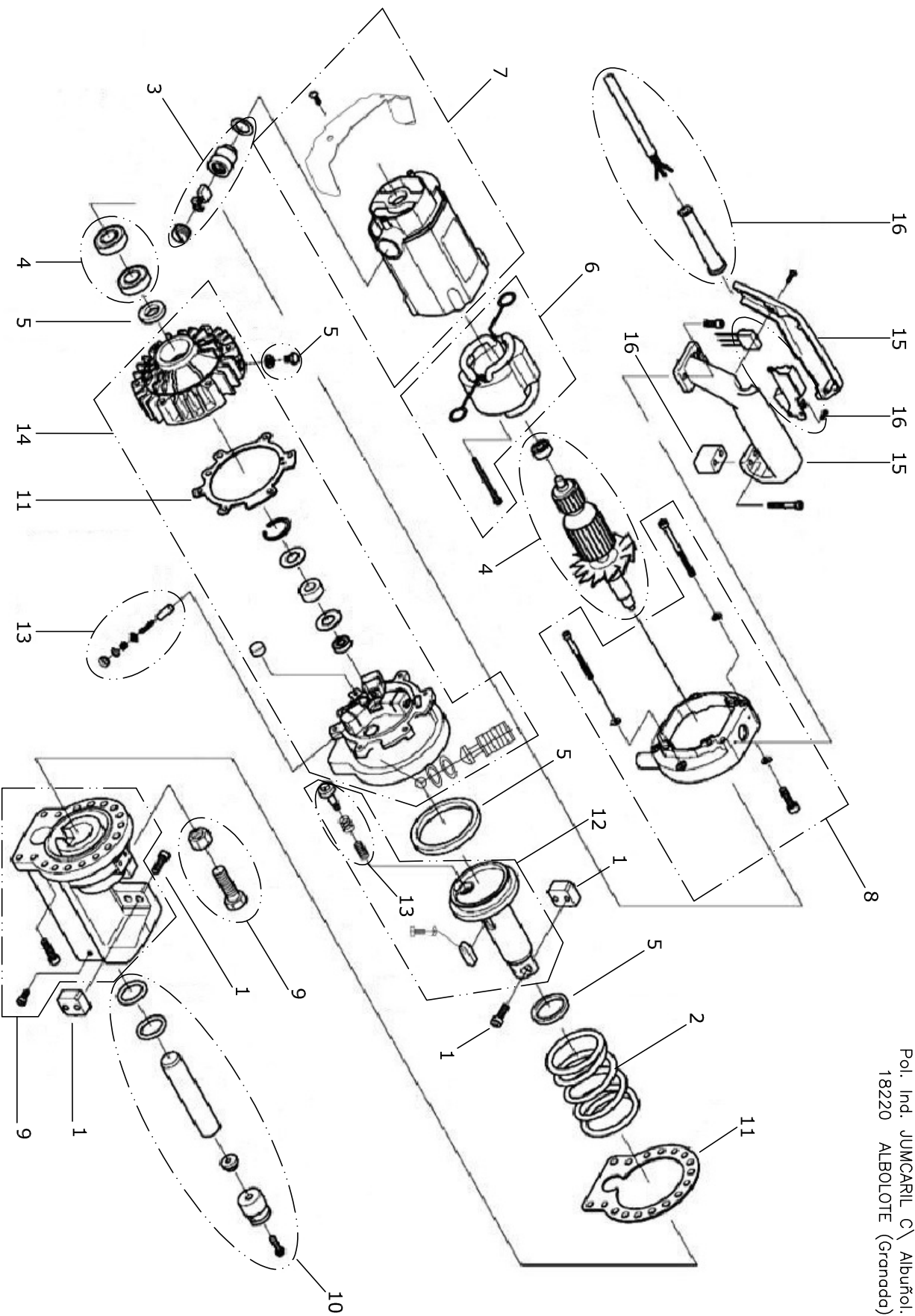


CX-25
CX-20



SOCIEDAD INDUSTRIAL DE MAQUINARIA ANDALUZA
Pol. Ind. JUMCARIL C\ Albuñol, Parc. 250
18220 ALBOLOTE (Granada) ESPAÑA

Product description:		CX-20 0,9 KW M 110V 60HZ P2 S
Product ID Code:		8166
POSITION # (item)	Material # (Product ID)	Description (Name)
1	R-3000301	CUTTER BLOCK + BOLT SET CX-20
2	R-3000316	CX-20 RETENTION SPRING
3	R-3000303	CX-20 HOLDER + BRUSH
4	R-3000320	ROTOR CX-20 110v
5	R-3000305	CX-20 RUBBER SEAL KIT
6	R-3000321	STATOR CX-20 110 v
7	R-3000306	CX-20 HOUSING ENGINE
8	R-3000307	CX-20 TOP HOUSING ENGINE
9	R-3000308	CX-20 JAW
10	R-3000309	CX-20 FLOAT SET
11	R-3000310	CX-20 GASKET SET
12	R-3000311	CX-20 PISTON
13	R-3000312	CX-20 RETENTION VALVE SET
14	R-3000313	CX-20 CRANKCASE
15	R-3000314	CX-20 HANDGRIP
16	R-3000315	CX-20 ELECTRICAL WIRING