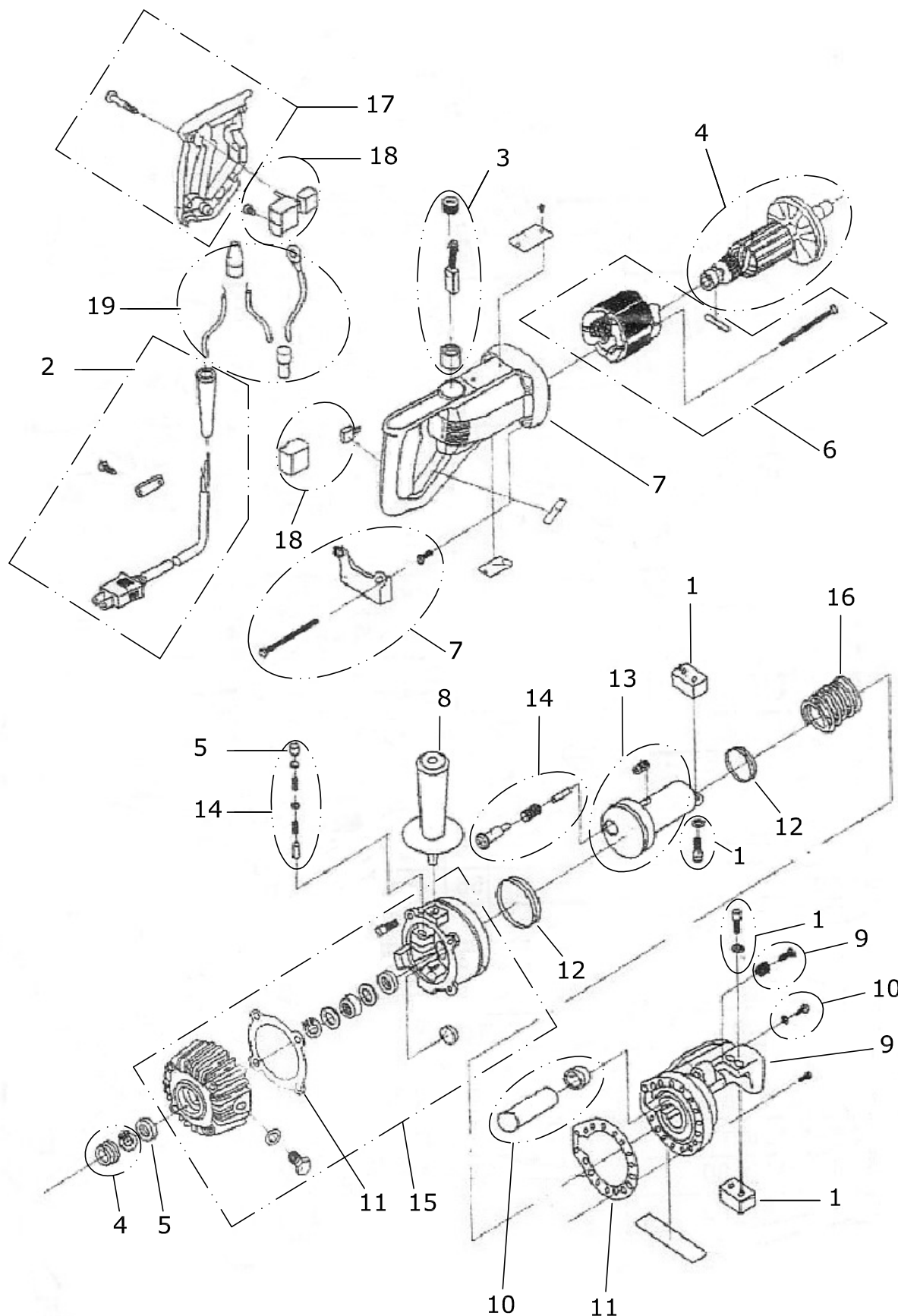


CX-16



SOCIEDAD INDUSTRIAL DE MAQUINARIA ANDALUZA  
Pol. Ind. JUMCARIL C\ Albuñol. Parc. 250  
18220 ALBOLOTE (Granada) ESPAÑA

Product description:		CX-16 0,76 KW M 110V 60HZ P3
Product ID Code:		8161
POSITION # (item)	Material # (Product ID)	Description (Name)
1	R-3000201	CX-16 KNIFE SET + SCREWS
2	R-3000219	POWER CORD
3	R-3000203	CX-16 HOLDER + BRUSH
4	R-3000220	ROTOR CX-16 110v
5	R-3000205	CX-16 RUBBER SEAL KIT
6	R-3000221	STATOR CX-16 110v
7	R-3000206	CX-16 HOUSING ENGINE
8	R-3000207	CX-16 GRIP
9	R-3000208	CX-16 JAW
10	R-3000209	CX-16 OIL FLOAT SET
11	R-3000210	CX-16 GASKET SET
12	R-3000211	CX-16 PISTON JOINT SET
13	R-3000212	CX-16 PISTON
14	R-3000213	CX-16 RETENTION VALVE SET
15	R-3000214	CX-16 CRANKCASE
16	R-3000215	CX-16 SPRING RETURN
17	R-3000216	CX-16 SWITCH COVER
18	R-3000217	CX-16 SWITCH
19	R-3000218	CX-16 ELECTRICAL WIRING